

# EXHIBIT A

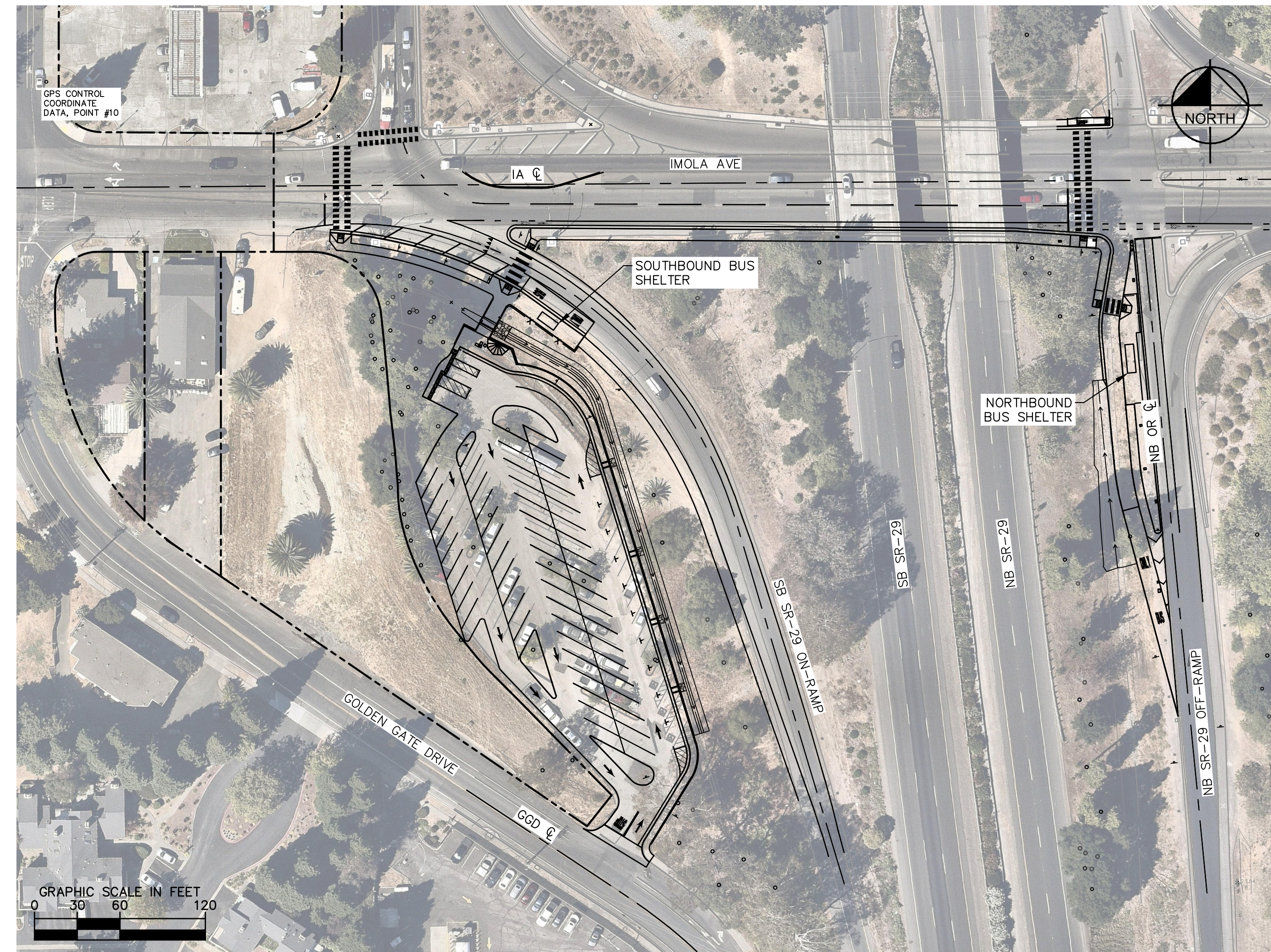
DIST.	COUNTY	ROUTE	POST MILES TOTAL PROJECT
4	NAP	29	10.28-10.33

## NAPA VALLEY TRANSPORTATION AUTHORITY IMOLA AVE PARK AND RIDE - CCTV CAMERAS

IN THE CITY OF NAPA, CA

TO BE SUPPLEMENTED BY THE CALTRANS STANDARD  
PLANS DATED 2018, CALIFORNIA MUTCD DATED JANUARY  
2014 AND CITY OF NAPA STANDARDS DATED 2018

SHEET No	INDEX OF DRAWINGS	NAME OF SHEET
1	COVER SHEET	CV-01
2	CCTV CAMERA INSTALLATION PLAN	IN-01
3	CCTV CAMERA INSTALLATION DETAILS	DT-01



LOCATION MAP

### SCOPE OF WORK:

INSTALL CCTV CAMERAS AT IMOLA AVE PARK AND RIDE LOT.

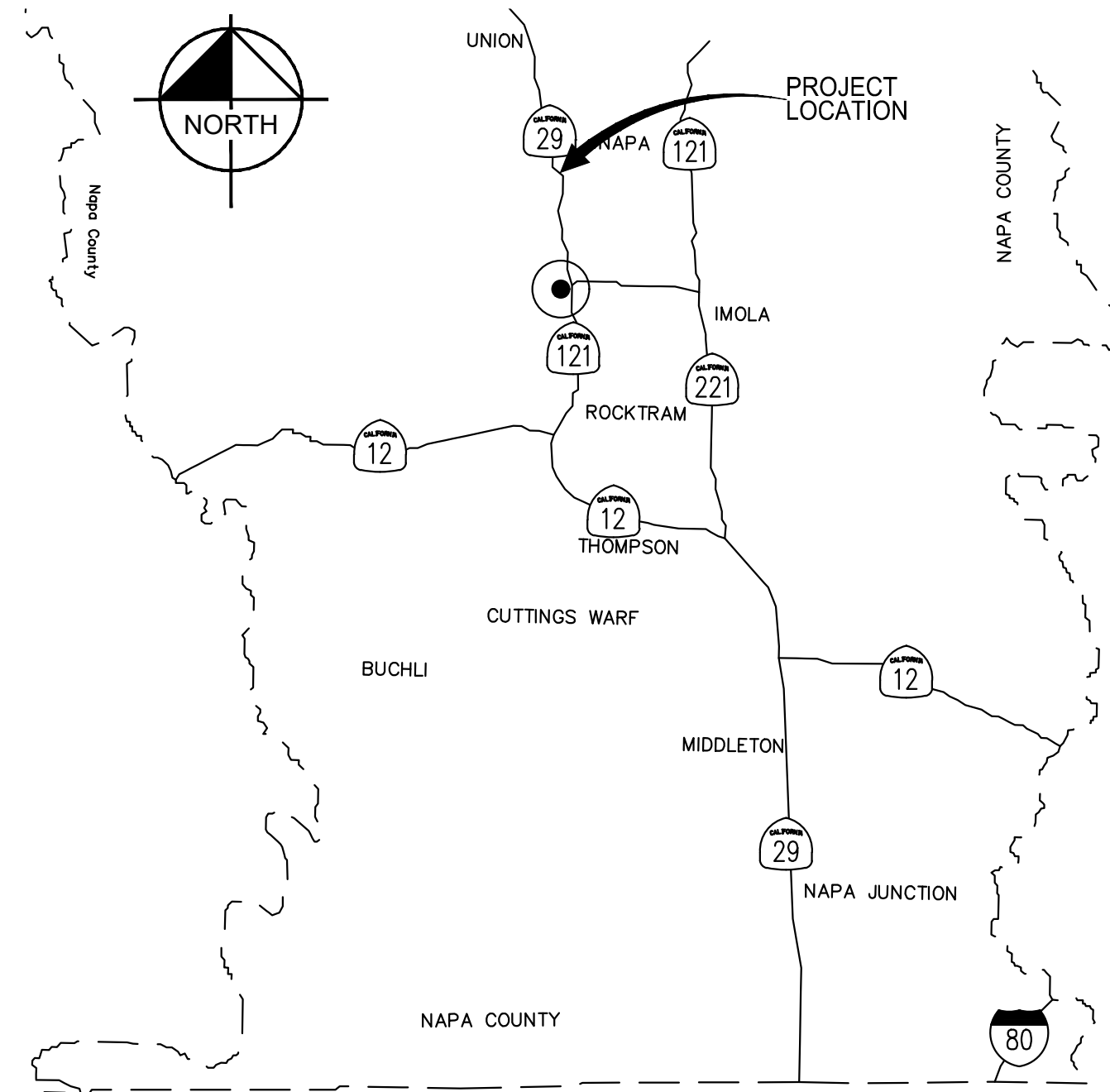
### DECLARATION OF RESPONSIBLE CHARGE:

I HEREBY DECLARE THAT I AM THE ENGINEER OF WORK FOR THIS PROJECT, THAT I HAVE EXERCISED RESPONSIBLE CHARGE OVER THE DESIGN OF THE PROJECT AS DEFINED IN SECTION 6703 OF THE BUSINESS AND PROFESSIONS' CODE AND THAT THE DESIGN IS CONSISTENT WITH CURRENT STANDARDS.  
I UNDERSTAND THAT THE CHECK OF THE PROJECT DRAWINGS AND SPECIFICATIONS BY THE REVIEWING AGENCY IS CONFINED TO A REVIEW ONLY AND DOES NOT RELIEVE ME, AS ENGINEER OF WORK, OF MY RESPONSIBILITIES FOR THIS PROJECT.

LAUREN KATHRYN JUMANAN      C87932      06/15/2020  
NAME      P.E. #####      DATE  
KIMLEY-HORN AND ASSOCIATES, INC.  
10 S ALMADEN BLVD, SUITE 1250  
SAN JOSE, CA 95113  
(619) 800-4130

### SOURCE OF TOPOGRAPHY:

RSA+  
1515 FOURTH STREET  
NAPA, CA 94559-2836  
(707) 252-3301  
DATE: 01/31/2019

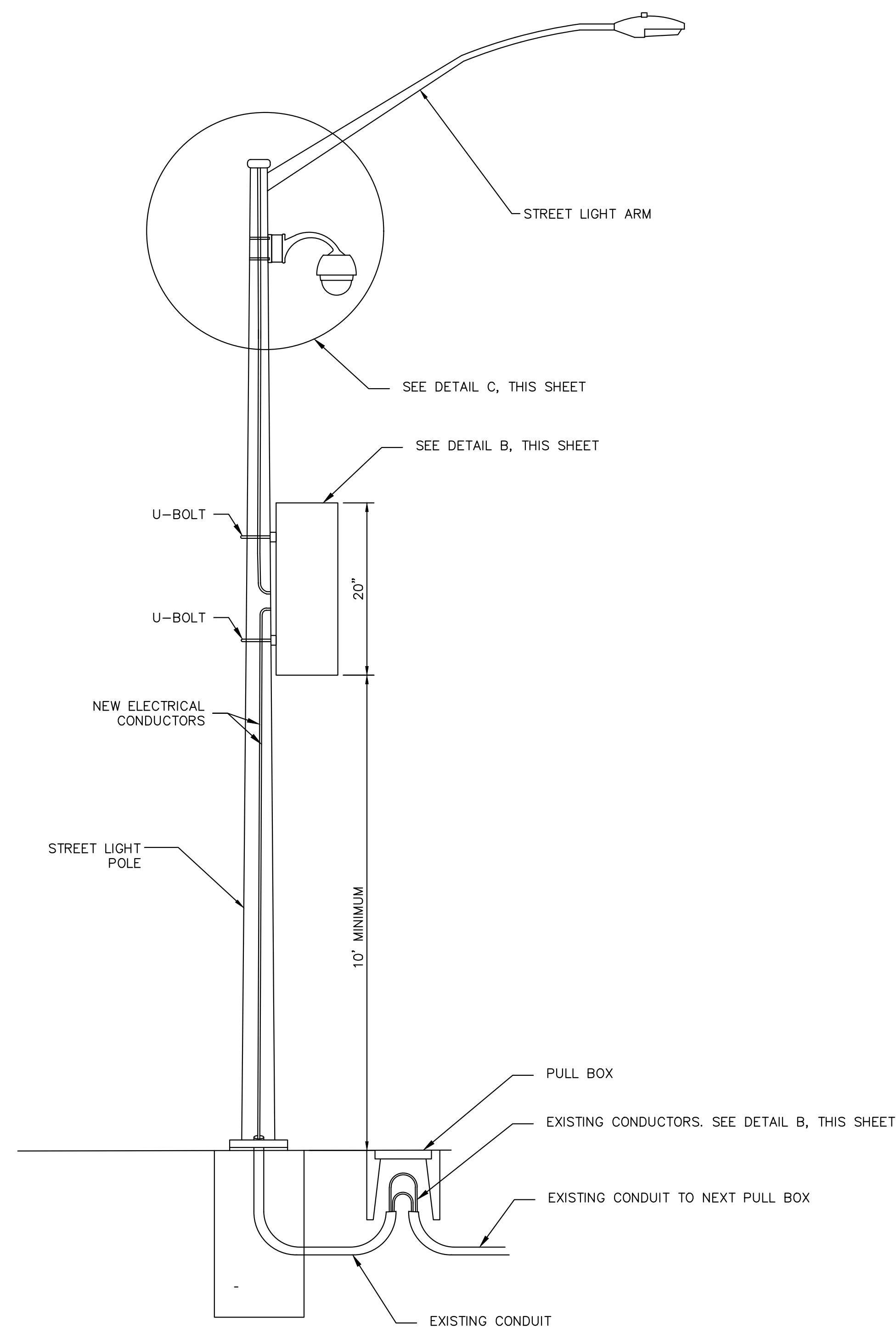


VICINITY MAP  
NOT TO SCALE

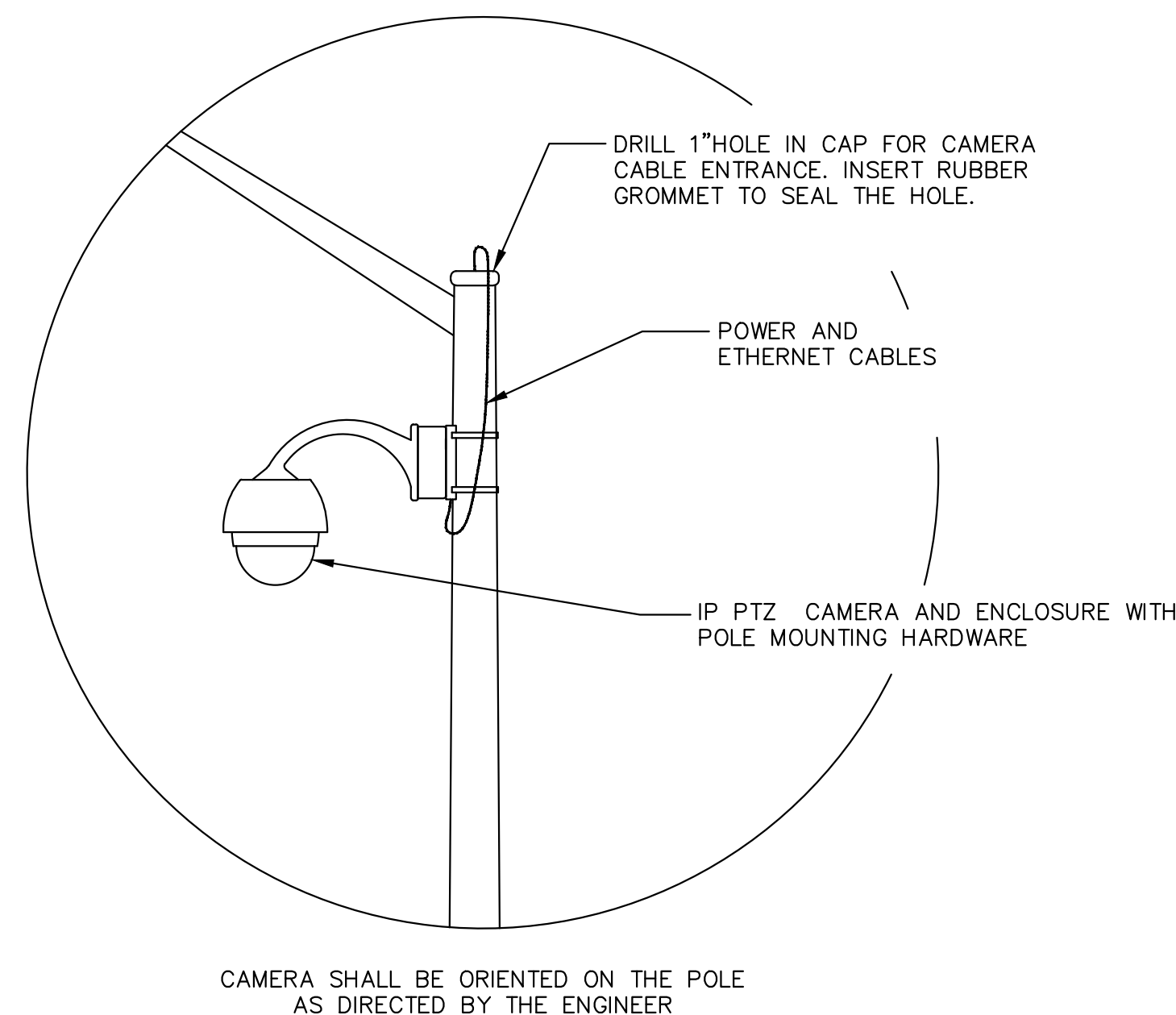
**100% DESIGN  
FEBRUARY 2024**

NO	REVISION / SUBMISSION	DATE	DESIGNED BY	DATE		SCALE			10 S. ALMADEN BLVD, #1250 SAN JOSE, CA 95113 (669) 800-4130	954 GOLDEN GATE DRIVE, NAPA, CA	COVER SHEET SHEET 1 OF 3	DRAWING NO.
0	CONFORMED		HUANG, A.	02/09/24		HORIZONTAL						CV-01
			HUANG, A.	02/09/24	AS INDICATED							
			AGUIGUI, K.	02/09/24	VERTICAL							
			JUMANAN, L.	02/09/24	N/A							

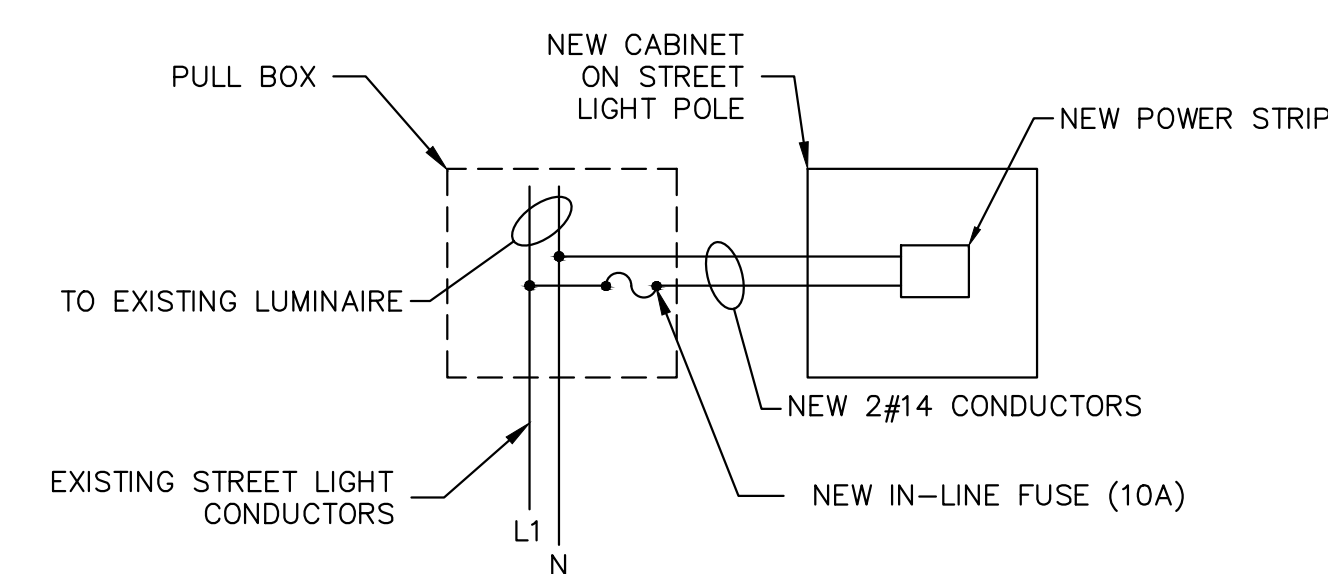




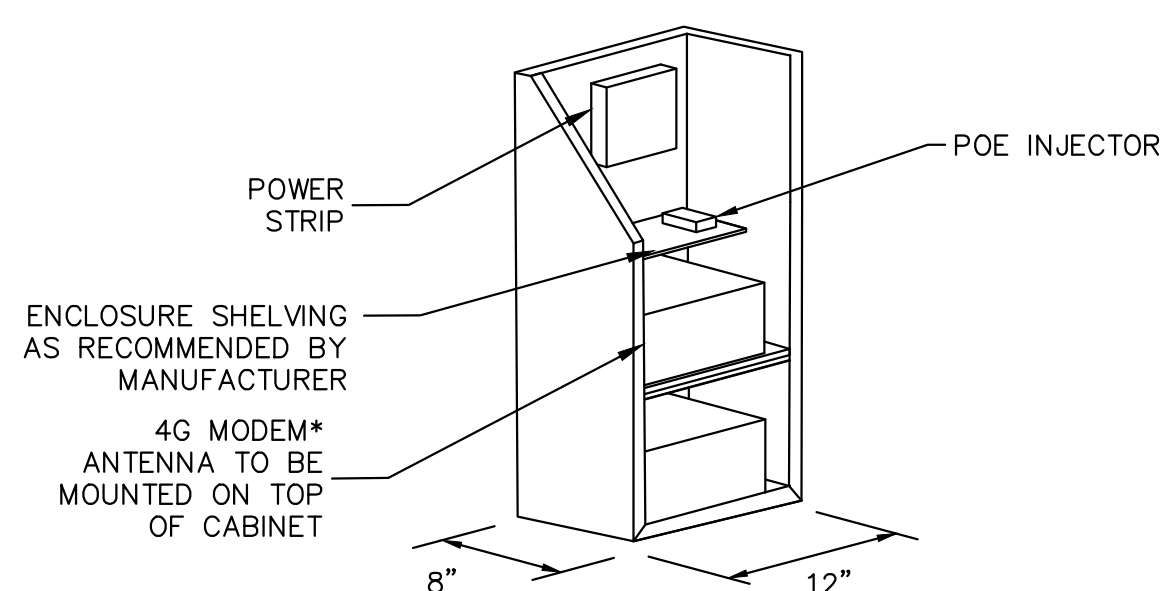
**DETAIL A: CCTV ASSEMBLY MOUNTED ON STREET LIGHT POLE**



**DETAIL C: STREET LIGHT MOUNTED CCTV CAMERA**  
NO SCALE



**DETAIL D: ELECTRICAL CONNECTION**



\* CONTRACTOR SHALL COORDINATE WITH NVTA ON THE PROCUREMENT OF THE 4G MODEMS INCLUDING SETTING UP THE ACCOUNTS AND TESTING

**DETAIL B: CCTV ENCLOSURE ASSEMBLY ON POLE**

**100% DESIGN  
FEBRUARY 2024**

NO	REVISION / SUBMISSION	DATE	DESIGNED BY	DATE
0	CONFORMED		HUANG, A.	02/09/24
			DRAWN BY HUANG, A.	02/09/24
			CHECKED BY AGUIGUI, K.	02/09/24
			IN CHARGE JUMANAN, L.	02/09/24



SCALE  
HORIZONTAL  
2" = 1'  
VERTICAL  
N/A

**Kimley»Horn**  
10 S. ALMADEN BLVD, #1250  
SAN JOSE, CA 95113  
(669) 800-4130



CCTV CAMERA INSTALLATION DETAILS  
SHEET 3 OF 3

DRAWING NO.	DT-01
SHEET NO.	